

4

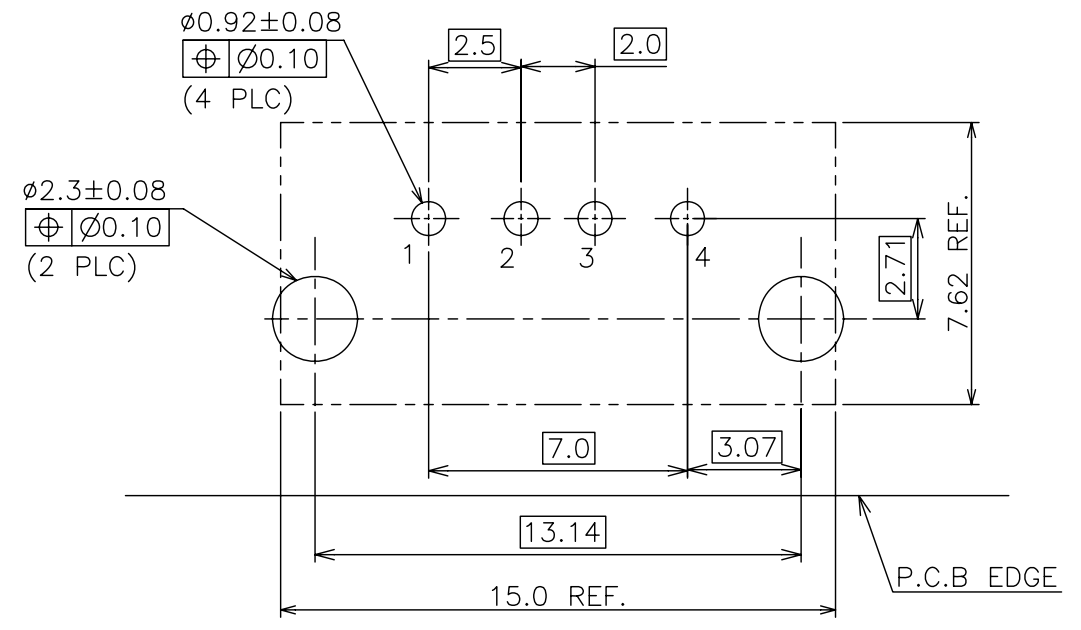
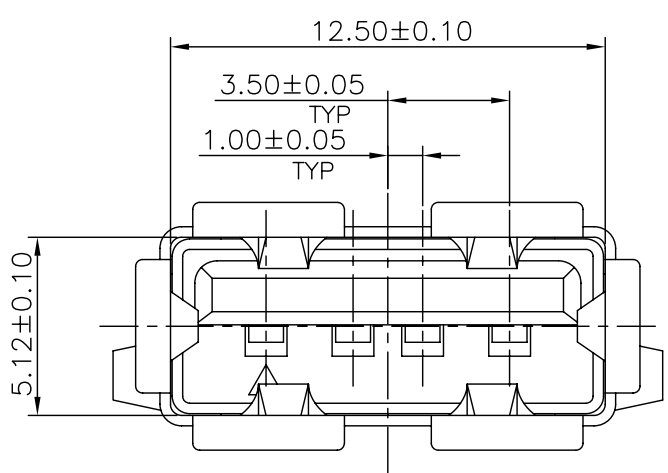
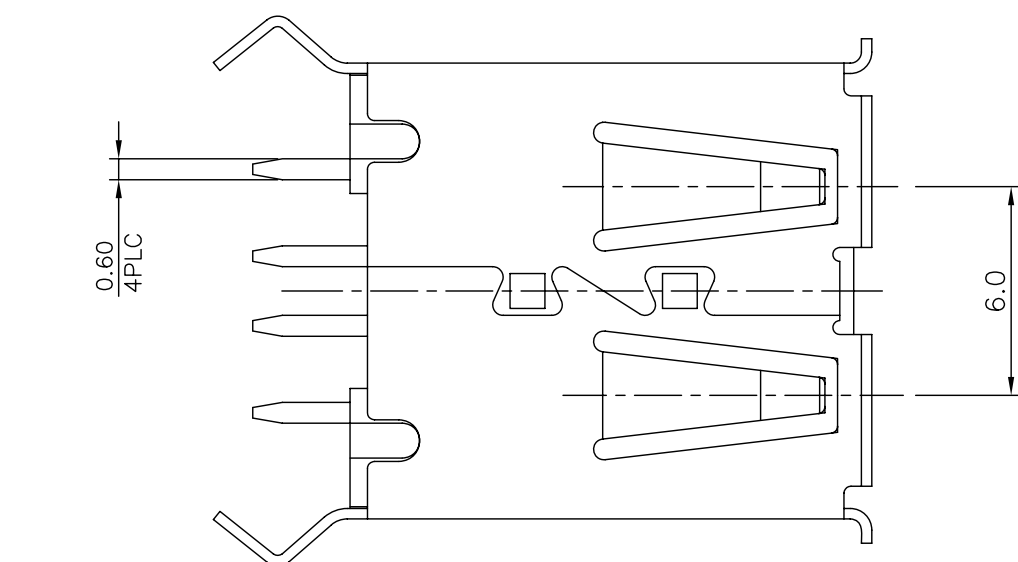
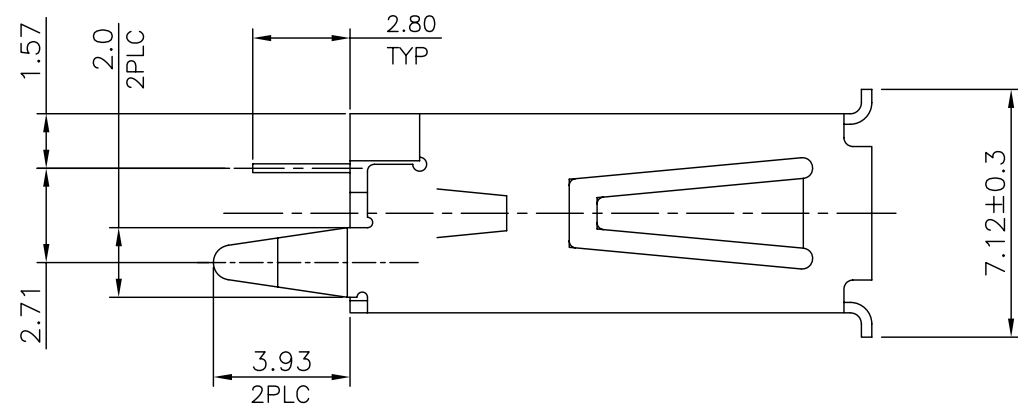
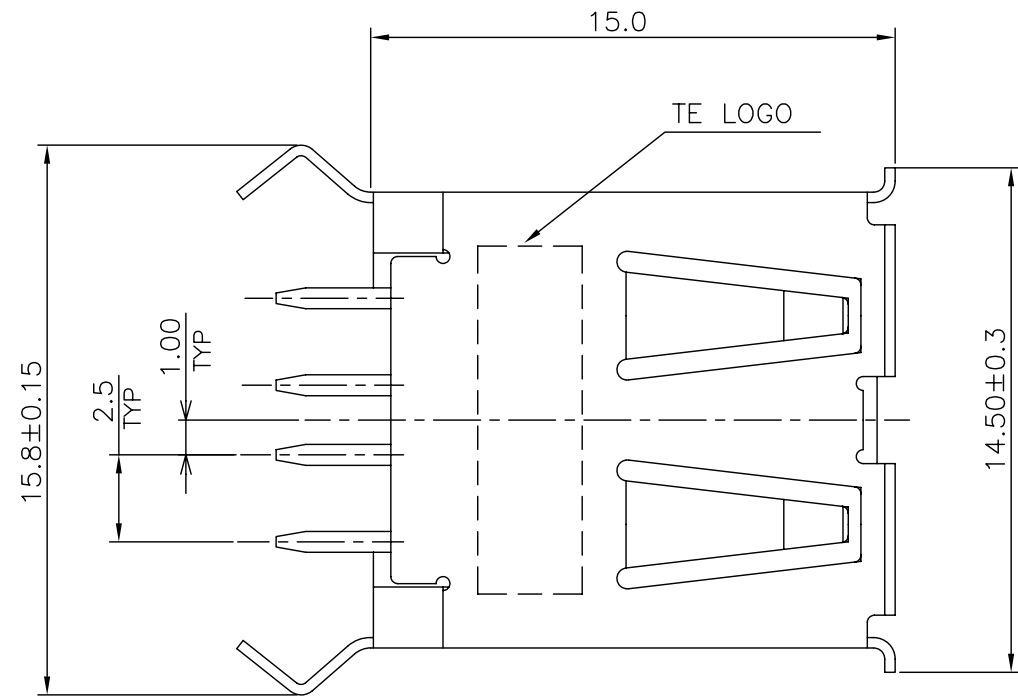
3

2

1

THIS DRAWING IS UNPUBLISHED. RELEASED FOR PUBLICATION
 © COPYRIGHT BY TYCO ELECTRONICS CORPORATION. ALL RIGHTS RESERVED.

LOC	DIST	REVISIONS					
DW		P	LTR	DESCRIPTION	DATE	DWN	APVD
			B1	REVISED (ECR-08-023733)	19SEP08	SC	WK



RECOMMENDED P.C.BOARD LAYOUT(T=1.6)
(TOP VIEW)(TOLERANCE:±0.05)

- NOTE:
- MATERIAL:
HOUSING: THERMOPLASTIC, UL 94V-0, COLOR:SEE TABLE.
CONTACTS: PHOSPHOR BRONZE. THICKNESS=0.25
SHELL: BRASS. THICKNESS=0.30
 - FINISH:
CONTACTS: 0.76mm [30m"] MIN. GOLD PLATED ON CONTACT AREA,
2.54mm [100m"] MIN. TIN-Cu ON SOLDER TAILS,
1.27mm [50m"] MIN. NICKEL. UNDERPLATED ALL OVER
SHELL: 2.54mm [100m"] MIN. TIN PLATED OVER
1.27mm [50m"] MIN. NICKEL UNDERPLATED
 - WAVE SOLDER CAPABLE TO 265°C PER TEST SPEC.
109-202, CONDITION B.

SEE SHEET 3	BLACK	1734366-4
	BLUE	1734366-3
SEE SHEET 2	WHITE	1734366-2
	BLACK	1734366-1
PACKING	HSG'S COLOR	PART NUMBER

THIS DRAWING IS A CONTROLLED DOCUMENT.		DWN	S. CHIEN	19SEP2008	Tyco Electronics Corporation Tyco Electronics Taipei, Taiwan		
DIMENSIONS: MM		CHK	S. CHIEN	19SEP2008	NAME		
TOLERANCES UNLESS OTHERWISE SPECIFIED: 0 PLC ± 0.38 1 PLC ± 0.25 2 PLC ± 0.13 3 PLC ± 0.05		APVD	W. KODAMA	19SEP2008	RECEIPT ASSY, VERTICAL, 4POSITION THRU-HOLE, TYPE A USB		
MATERIAL SEE NOTE		FINISH SEE NOTE		PRODUCT SPEC 108-57547 QUALIFICATION TEST REPORT 501-57635		SIZE	RESTRICTED TO
		WEIGHT 1.82GRAMS		DRAWING NO A3 00779 C=1734366		CAGE CODE	
		CUSTOMER DRAWING		SCALE		SHEET	REV
				1 of 3		B1	

4

3

2

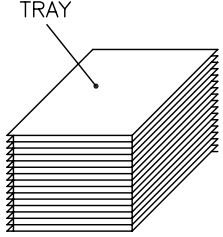
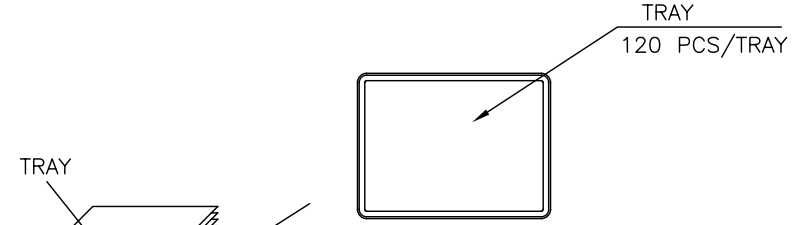
1

THIS DRAWING IS UNPUBLISHED. RELEASED FOR PUBLICATION
 © COPYRIGHT BY TYCO ELECTRONICS CORPORATION. ALL RIGHTS RESERVED.

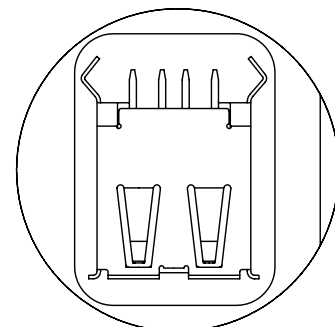
LOC	DIST	REVISIONS			
P	LTR	DESCRIPTION	DATE	DWN	APVD
DW		SEE SHEET 1.			

D

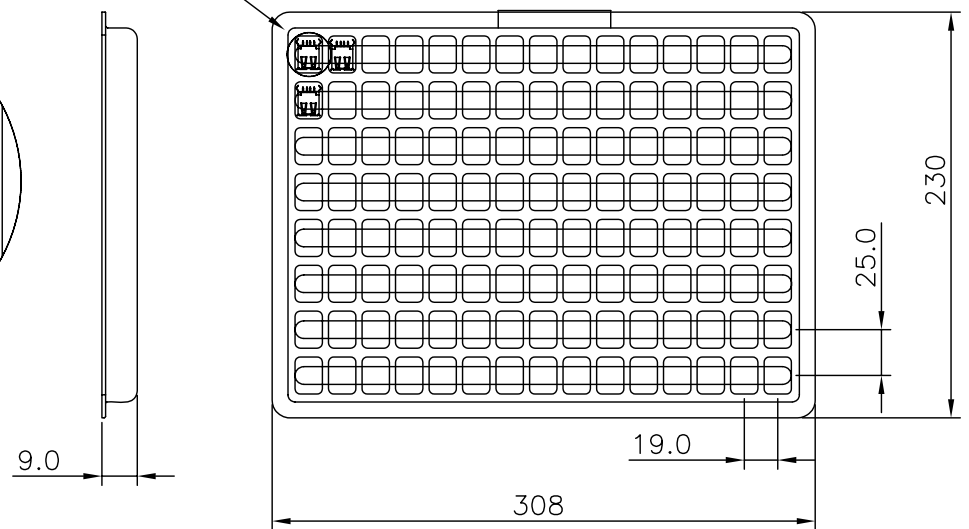
D



USE THE TAPE TO FIX THE TRAY(4X)

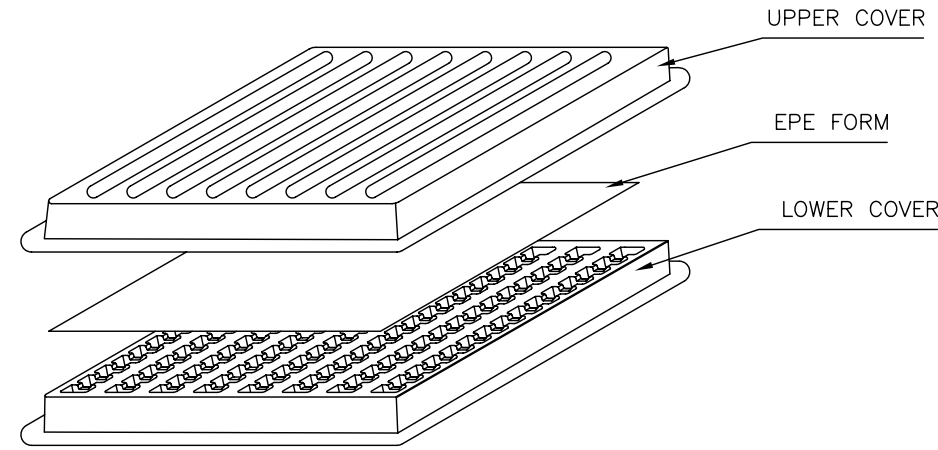
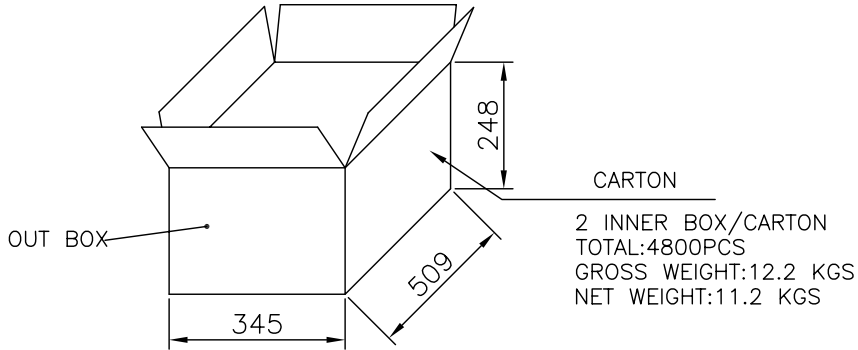
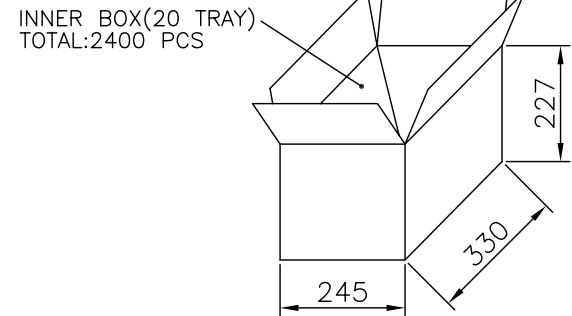


VIEW A



C

C



NOTE:
 1. PACKAGING MATERIAL IN PLASTIC, RUBBER, INK, PIGMENT AND PAINT MUST MEET CONTROLLED SUBSTANCES SPEC PER 230-702.
 * CADMIUM AND CADMIUM COMPOUNDS NOT TO EXCEED: 5 PPM.
 * LEAD, CADMIUM, CHROM VI AND MERCURY NOT TO EXCEED: 100 PPM (COMBINED).
 2. MATERIAL:
 TRAY: PVC, UPPER COVER THICKNE=0.3MM. LOWER COVER THICKNE=0.4MM

4800	1734366-2
4800	1734366-1
QTY	PART NUMBER

B

B

A

A

THIS DRAWING IS A CONTROLLED DOCUMENT.		DWN		Tyco Electronics Corporation Taipei, Taiwan	
DIMENSIONS: MM		CHK		NAME	
TOLERANCES UNLESS OTHERWISE SPECIFIED:		APVD		RECEIPT ASSY, VERTICAL, 4POSITION THRU-HOLE, TYPE A USB	
0 PLC ± -		PRODUCT SPEC		SIZE	
1 PLC ± -		APPLICATION SPEC		CAGE CODE	
2 PLC ± -		WEIGHT		DRAWING NO	
3 PLC ± -		CUSTOMER DRAWING		RESTRICTED TO	
4 PLC ± -		SCALE		SHEET	
ANGLES ± -		-		2 of 3	
FINISH		-		REV B1	

4

3

2

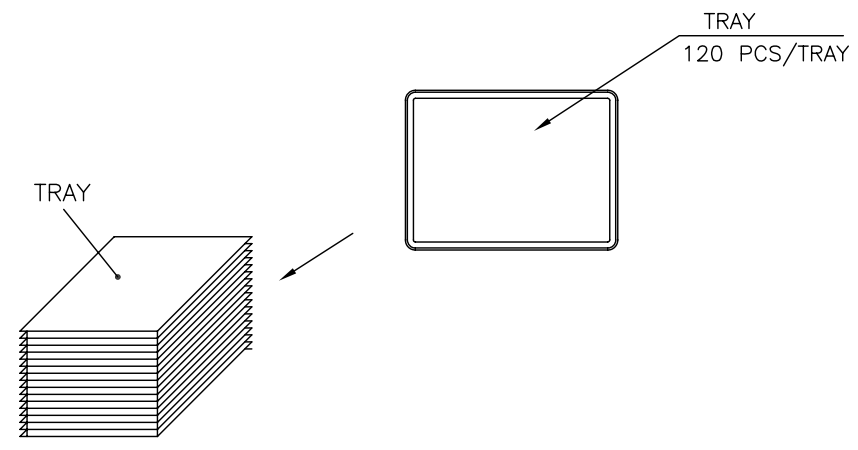
1

THIS DRAWING IS UNPUBLISHED. RELEASED FOR PUBLICATION
 © COPYRIGHT BY TYCO ELECTRONICS CORPORATION. ALL RIGHTS RESERVED.

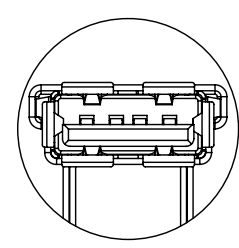
LOC	DIST	REVISIONS			
P	LTR	DESCRIPTION	DATE	DWN	APVD
DW	/	SEE SHEET 1.			

D
C
B
A

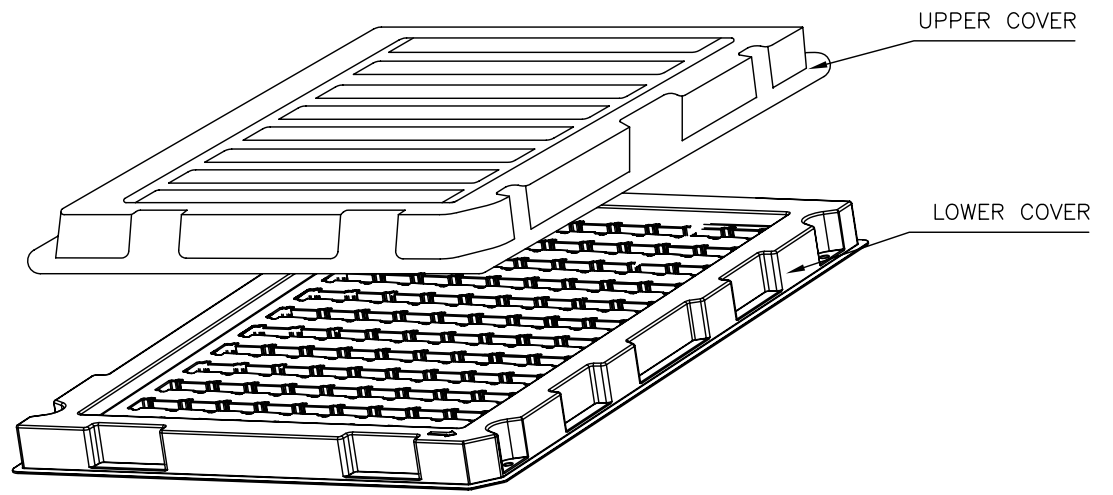
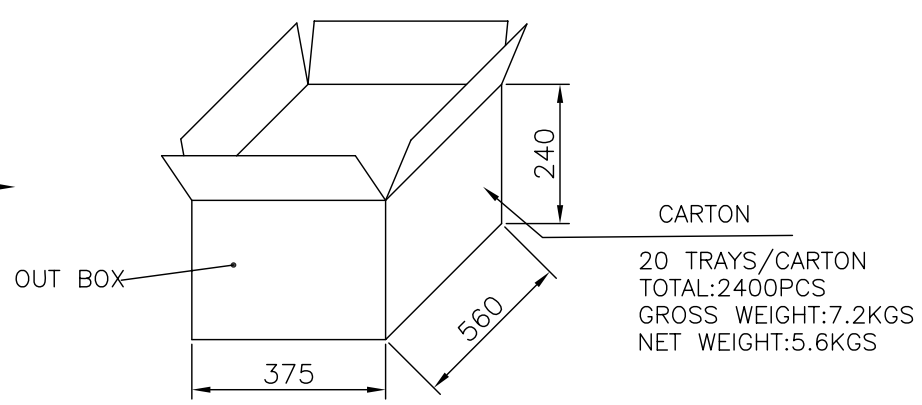
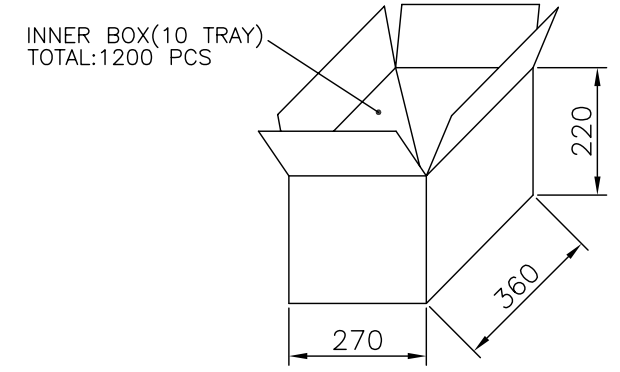
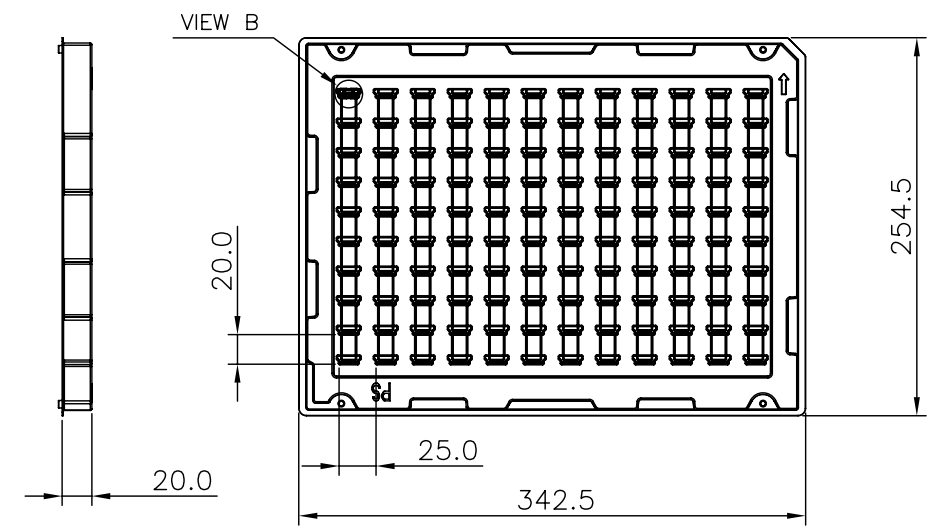
D
C
B
A



USE THE TAPE TO FIX THE TRAY(4X)



VIEW B



NOTE:
 1. PACKAGING MATERIAL IN PLASTIC, RUBBER, INK, PIGMENT AND PAINT MUST MEET CONTROLLED SUBSTANCES SPEC PER 230-702.
 * CADMIUM AND CADMIUM COMPOUNDS NOT TO EXCEED: 5 PPM.
 * LEAD, CADMIUM, CHROM VI AND MERCURY NOT TO EXCEED: 100 PPM (COMBINED).
 2. MATERIAL:
 TRAY: PS, UPPER COVER THICKNE=0.5MM. LOWER COVER THICKNE=0.7MM

QTY	PART NUMBER
2400	1734366-4
2400	1734366-3

THIS DRAWING IS A CONTROLLED DOCUMENT.		DWN		Tyco Electronics Corporation Taipei, Taiwan	
DIMENSIONS: MM		CHK		NAME	
TOLERANCES UNLESS OTHERWISE SPECIFIED:		APVD		RECEIPT ASSY, VERTICAL, 4POSITION THRU-HOLE, TYPE A USB	
0 PLC ± -		PRODUCT SPEC		SIZE	
1 PLC ± -		APPLICATION SPEC		CAGE CODE	
2 PLC ± -		WEIGHT		DRAWING NO	
3 PLC ± -		CUSTOMER DRAWING		RESTRICTED TO	
4 PLC ± -		SCALE		A3 00779 C=1734366	
ANGLES ± -		SHEET		3 of 3	
MATERIAL		REV		B1	
FINISH		REV		B1	